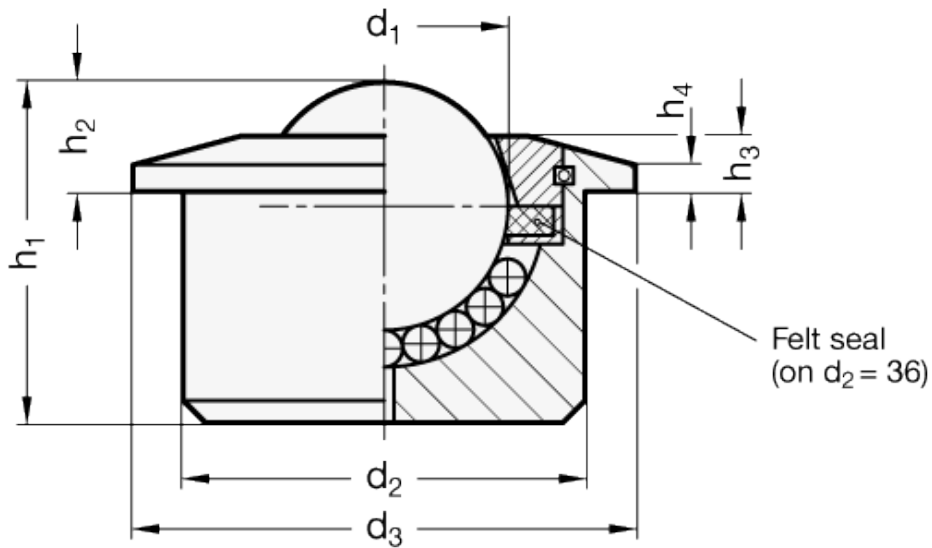


GN 509.1

Ball transfer units



technical informations

Material

- Turned and zinc-plated steel (version SBL and SNI).
- Stainless steel (version NNI).

Retaining components

Zinc-plated steel.

Balls

- Version SBL: steel.
- Version SNI: stainless steel.
- Version NNI: stainless steel.

Retaining ring

Felt seal (only for sizes D= 36, 45, 62 and 100).

Applications

GN 509.1 ball transfer units are particularly suitable on conveyer tracks. They make linear or rotary movements easier even with heavy loads (see [Technical Data](#)).

Standard Elements	Main dimensions							Load C in N	Weight g
	d ₁	d ₂ ±0.08	d ₃	h ₁ ±0.3	h ₂ ±0.3	h ₃ ±0.3	h ₄		
GN 509.1-12-SBL	12.7	22	27	17	8	4	3.2	200	35
GN 509.1-12-SNI	12.7	22	27	17	8	4	3.2	150	35
GN 509.1-12-NNI	12.7	22	27	17	8	4	3.2	150	35
GN 509.1-15-SBL	15.8	24	30	20	8.1	3.5	1	500	55
GN 509.1-15-SNI	15.8	24	30	20	8.1	3.5	1	400	55
GN 509.1-15-NNI	15.8	24	30	20	8.1	3.5	1	400	55
GN 509.1-22-SBL	22.2	36	45	30.5	9.8	5	2.4	1300	130
GN 509.1-22-SNI	22.2	36	45	30.5	9.8	5	2.4	1000	130
GN 509.1-22-NNI	22.2	36	45	30.5	9.8	5	2.4	1000	130
GN 509.1-30-SBL	30.1	45	55	36.8	13.8	7	4.5	2500	360
GN 509.1-30-SNI	30.1	45	55	36.8	13.8	7	4.5	2000	360
GN 509.1-30-NNI	30.1	45	55	36.8	13.8	7	4.5	2000	360
GN 509.1-45-SBL	44.4	62	75	53.5	19	9.5	5.5	6000	980
GN 509.1-45-SNI	44.4	62	75	53.5	19	9.5	5.5	4500	980
GN 509.1-45-NNI	44.4	62	75	53.5	19	9.5	5.5	4500	980
GN 509.1-60-SBL	60	100	117	77.5	30	15	10	13000	3700
GN 509.1-60-SNI	60	100	117	77.5	30	15	10	10000	3700
GN 509.1-60-NNI	60	100	117	77.5	30	15	10	10000	3700



ELESA and GANTER models all rights reserved in accordance with the law. Always mention the source when reproducing our drawings.

STANDARD MACHINE ELEMENTS WORLDWIDE